

imanpack

PACKAGING & ECO SOLUTIONS

LIDPACK

Inclined Form-Fill-Seal Machine (VFFS)

Lidpack was especially designed to pack stacks of plastic lids, small shallow containers, glass or plastic slides, bearing cages, seals and all kinds of unstable or unstackable products.

Diameter of round product

Min 40 mm - Max 150 mm

Film width

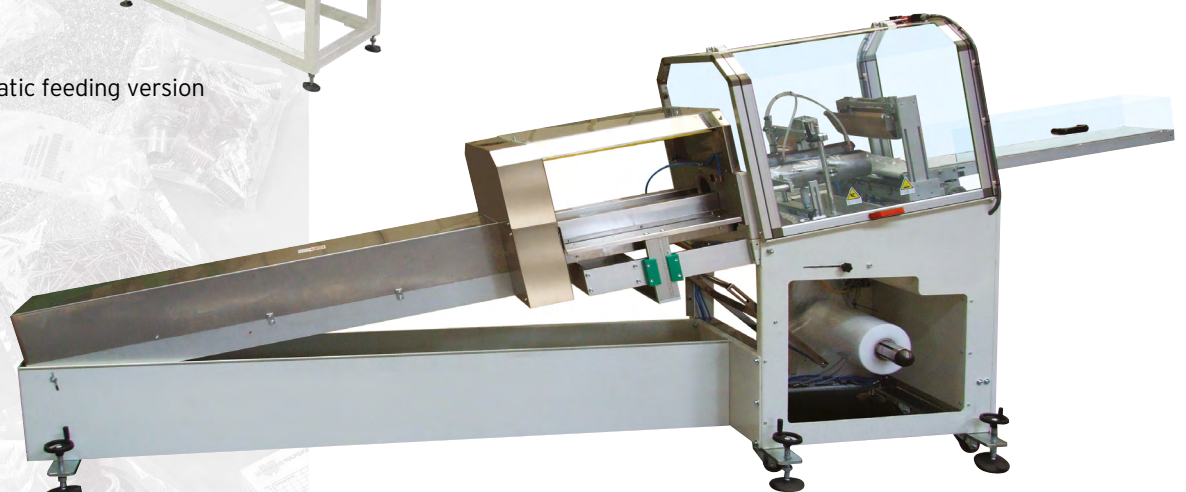
Max 600 mm

Product stack length

Max 780 mm (with double step)



Automatic feeding version



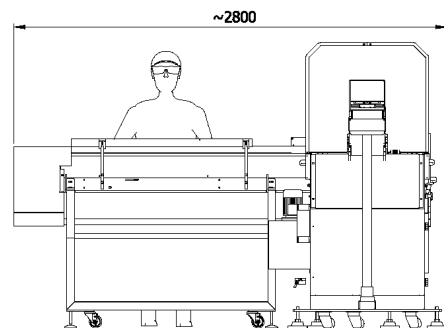
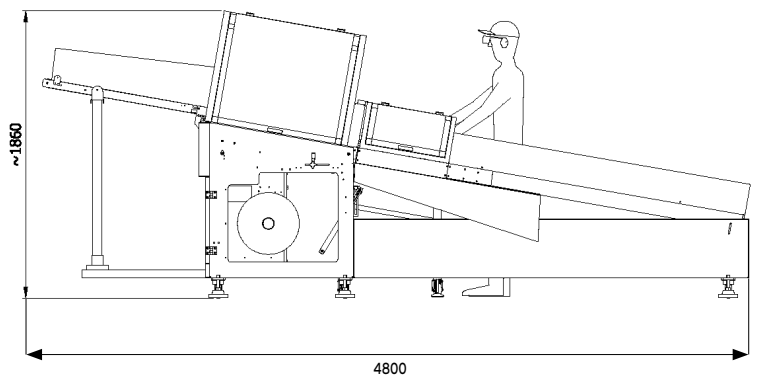
Manual feeding version





TECHNICAL FEATURES

- Three axis servomotors controlled.
- PLC control unit.
- Longitudinal seal by impulse (bar length 420 mm).
- Pneumatic wire cut cross sealing unit (controlled by thermoregulator).
- Exit conveyor for filled bags.
- Installed power: 4Kw - 400V - 50/60 Hz triphase.
- Automatic feeding system available depending on thermoforming requirements.
- Machine built according to CE regulations.



layout

imanpack

PACKAGING & ECO SOLUTIONS

Via Lago di Bolsena, 19 36015 Schio (VI) ITALY
Tel. +39.0445.578.811 Fax+39.0445.575.111
www.imanpack.it email: info@imanpack.it